

Ski and snowboard holder Snowpro"uplifted" 748

748/1000-31-45

5 *års garanti*
years warranty
Jahre Garantie
ans de garantie

Components:

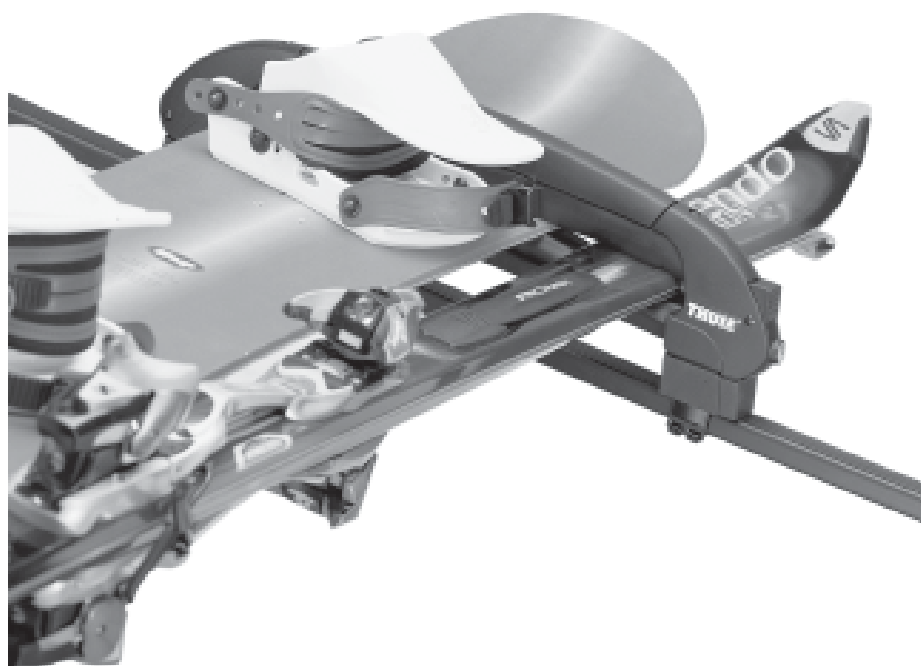
2 ski carriers, 2 locks, 4 mountings, 4 knobs with screws.


Material:

Galvanized steel profiles with polyester paint finish. Plastic covers of PP and PA6. Rubber profiles of EPDM.

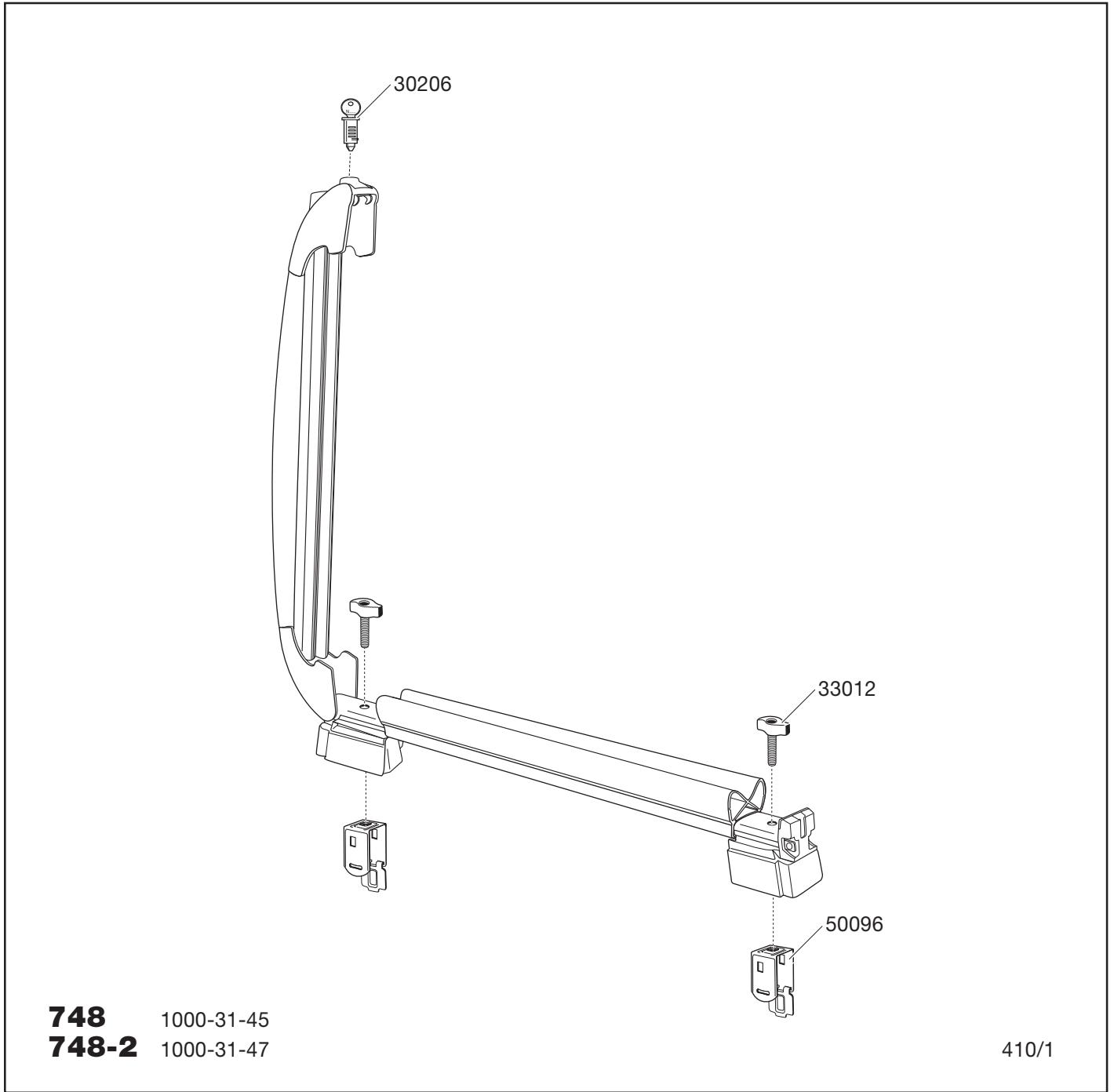
Mounting etc.:

For transporting skis or snowboards. Mounting according to mounting instruction in the package.



- Raised 30 mm. For skis with thick binding plates.
- Aerodynamic design.
- Pre-assembled. Simple fitting to the load bars.
- Rubber profiles shaped so that they will protect and retain equipment such as skis, snowboards and sticks - also skis and snowboards in ski bags.
- Push-button opening for simple use, with lock indication.
- Fits T-tracks with adapter 887.
- Double lock function that locks the skis/snowboard inside the carrier, at the same time locking the carrier to the load bars.
- Can be used with clamp-ons 5901-5906 for cars with factory installed load carriers.
- Suitable for 4 pairs of skis or 1 snowboard + 1 pair of skis.
- Thule one key system. 
- Approved by GS/TÜV in accordance with DIN 75302.

Ski and snowboard holder Snowpro "uplifted" 748



Individual packs

Product	EAN	Kg	L/W/H in cm
748	7313021031452	3,6	60/17/12

Pallet

Product	Qty/kg	L/W/H in cm
748	72/274	120/807108